

ECx-Display



Overview

The ECx-Display is a full-color backlit display accessory for the ECB and ECL-203/300/400/600 series controllers, as well as the ECLYPSE™ Connected Controllers.

It allows quick and easy real-time access to view and modify many controller options such as overrides, alarms, PID loops, schedules, calendars, weather, and favorites.

Available in black or blue, the ECx-Display is designed for DIN rail mounting, panel mounting, or as a temporary handheld device that can easily be moved from one controller to another.

Features & Benefits

- The compact design makes for a convenient and portable handheld device
- IP 54 environmental rating provides dust and splash resistance
- A single Cat 5e cable connection provides for a quick and easy installation
- The optional ECx-Subnet adaptor allows for installations with daisy-chaining
- Includes a full-color backlit display with jog dial providing direct access to a wide range of controller functions:
 - View, edit, and override values
 - Display and acknowledge alarms
 - Visually tune PID parameters
 - Device commissioning
 - View and modify schedules, calendars, and events
 - View current weather conditions
 - Create a list of favorites for quick access
 - Multiuser management for access restrictions
 - Multilingual interface

Model Selection

Example: ECx-Display (Blue)

Series	Color
ECx-Display	(Blue): With blue face plate (Black): With black face plate

Product Specifications

Power Supply Input

Power Source	Subnet
Power Consumption	1.5W

Communications

Rate	38 400 bps
Communications	RS-485
Wiring	Cable length (if only device on the subnet): 6.5 ft (2m) maximum
Cable Type	T568B Cat 5e network cable, 4 twisted pairs
Connector	1 × RJ-45 Subnetwork port
Topology	Daisy-chain with ECx-Subnet-Adaptor (sold separately)

LCD Characteristics

Display Type	Backlit-color LCD
Display Resolution	400 W x 240 H pixels (WQVGA)
Effective Viewing Area (W × H)	2.4 × 1.4" (61.2 × 36.7mm) 2.8" (71mm) diagonal
Menu Navigation	Jog dial turn, select navigation with Exit button

Mechanical

Dimensions (H × W × D)	4.23 × 5.67 × 2.33" (107.6 × 143.9 × 59.2)
Shipping Weight	0.6lbs (0.27 kg)
Enclosure Material ¹	FR/ABS
Enclosure Rating	Plastic housing, UL94-V0 Plenum rating per UL1995

1. All materials and manufacturing processes comply with the RoHS directive and are marked according to the Waste Electrical and Electronic Equipment (WEEE) directive.

Ingress Protection Rating	IP54 (when panel mounted)
Color	Blue or black face plate & black casing
Installation	Direct DIN-rail mounting or panel mounting (template provided)

1. All materials and manufacturing processes comply with the RoHS directive and are marked according to the Waste Electrical and Electronic Equipment (WEEE) directive.

Environmental

Operating Temperature	32°F to 122°F (0°C to 50°C)
Storage Temperature	-4°F to 122°F (-20°C to 50°C)
Relative Humidity	0 to 90% Non-condensing

Standards and Regulations

CE - Emission: EN 61000-6-3: 2007 + A1: ed.2011; Generic standards for residential, commercial and light-industrial environments

- Immunity: EN 61000-6-1: 2007; Generic standards for residential, commercial and light industrial environments

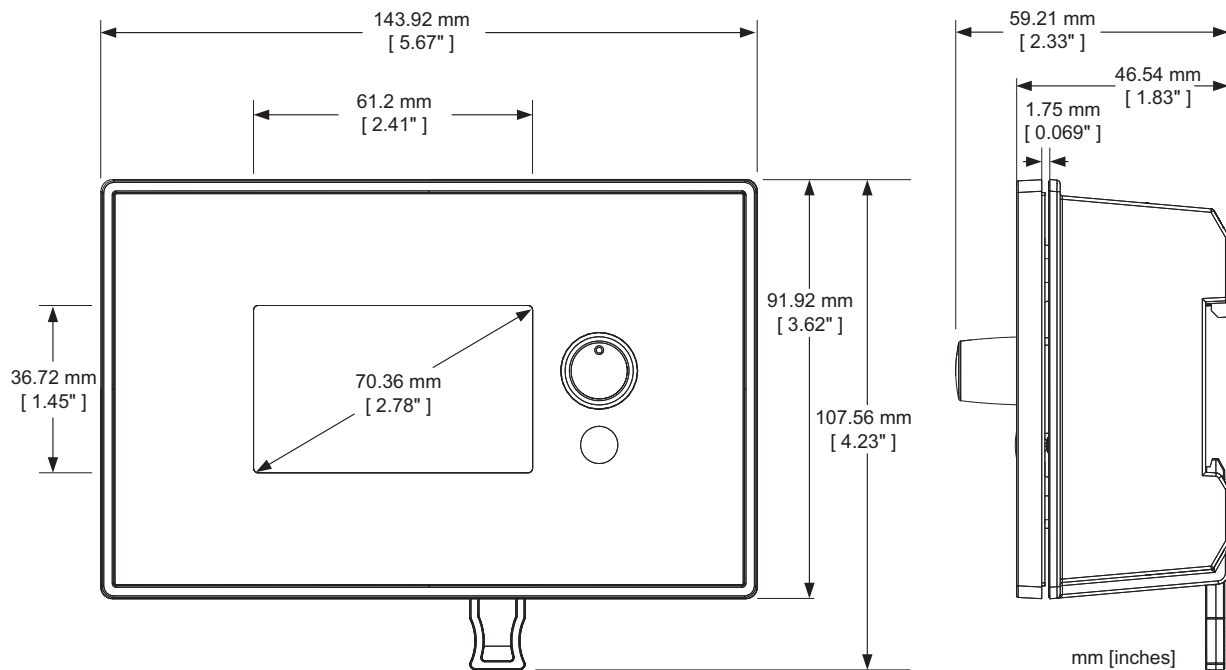
FCC This device complies with FCC rules part 15, subpart B, class B

UL Listed (CDN & US) UL916 Energy management equipment

CEC Appliance Database Appliance Efficiency Program¹



1. California Energy Commission's Appliance Efficiency Program: The manufacturer has certified this product to the California Energy Commission in accordance with California law.



Specifications subject to change without notice.

ECLYPSE, Distech Controls, the Distech Controls logo, EC-Net, Allure, and Allure UNITOUCH are trademarks of Distech Controls Inc. BACnet is a registered trademark of ASHRAE; BTL is a registered trademark of the BACnet Manufacturers Association. The Bluetooth[®] word mark and logos are registered trademarks owned by Bluetooth SIG, Inc. and any use of such marks is under license. All other trademarks are property of their respective owners.

©, Distech Controls Inc., 2016 - 2022 All rights reserved.

Global Head Office - 4205 place de Java, Brossard, QC, Canada, J4Y 0C4 - EU Head Office - ZAC de Sacuny, 558 avenue Marcel Mérioux, 69530 Brignais, France